



HEAVY DUTY

FLEXIBLE

RELIABLE

VERSATILE

Model 60A

- 3000 lb. Capacity
- Adjustable legs make the Model 60A even more flexible and easier to use

ACCESSORIES

- Barrel Grip
- Floor Lock
- Phenolic or Polyurethane

STANDARD FEATURES

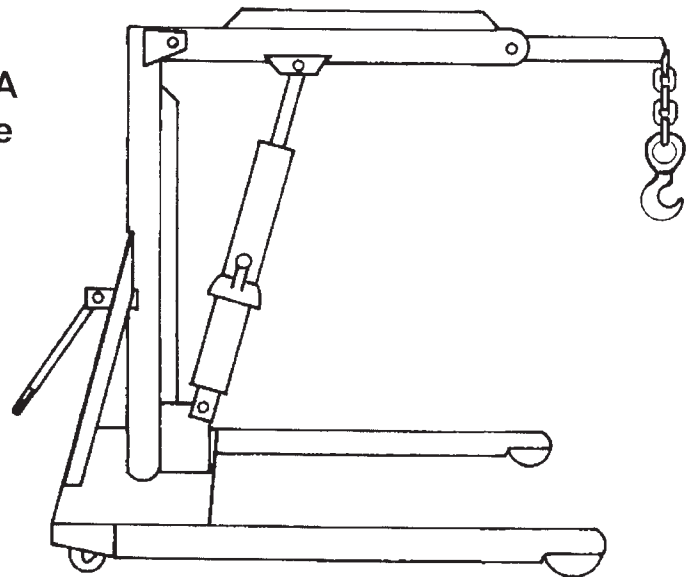
- Meets Ruger's engineering standards of 150% structural overload of maximum rated capacity
- Completely self-contained hydraulic system with single action jack
- Built-in hydraulic overload relief valve (An original Ruger patent)
- Needle type release valve permits pin-point control over lowering or holding of heaviest or lightest loads
- Adjustable built-in telescopic boom
- Steel casters with roller bearing wheels
- Swivel hook with safety latch and chain to support heavy loads

Prices, Specifications, and Options are subject to Change Without Notice.

Unit Ships-NMFC #189240 - Class 85 Shipping Wt. 650 lbs

FAX: 440-248-8544

E-mail: info@daavidround.com



The Model 60A has a manual built-in telescopic extension boom for more reach, more height and providing greater flexibility.

Tested and exceeds ANSI/ASME PALD-12C standards.

Meets ANSI Z.535



David Round, Inc.
 Ruger Division
 32405 Aurora Road
 Solon, OH 44139
 Phone: 440-248-4700
 Fax: 440-248-8544
 www.rugerindustries.com

VERSATILE

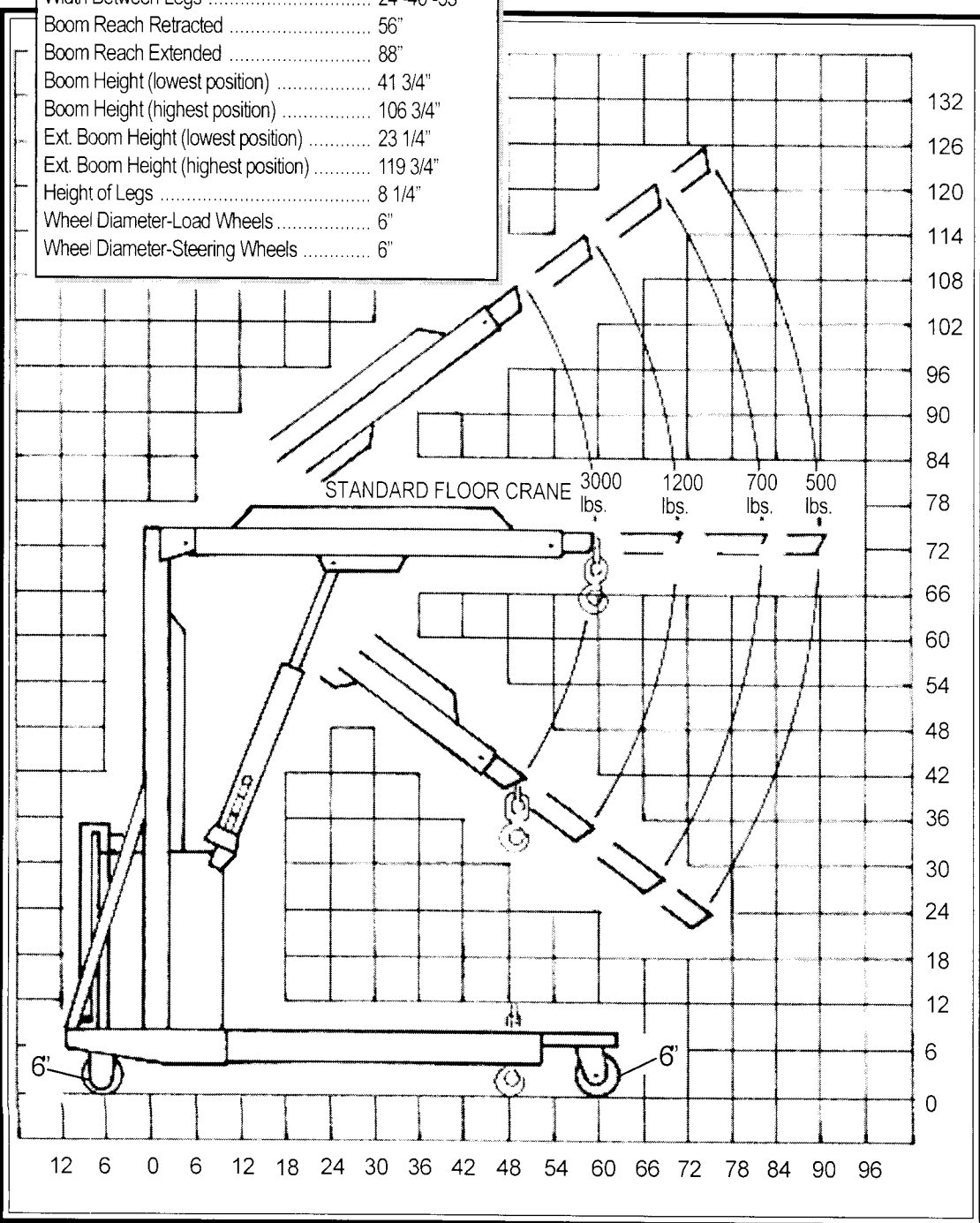
COMPACT

AFFORDABLE

RELIABLE

MODEL: Model 60A

Model	MODEL 60A
Max. Capacity	3000 lbs
Overall Base Length	76 1/2"
Overall Width	37"-54"-67"
Overall Height	75"
Width Between Legs	24"-40"-53"
Boom Reach Retracted	56"
Boom Reach Extended	88"
Boom Height (lowest position)	41 3/4"
Boom Height (highest position)	106 3/4"
Ext. Boom Height (lowest position)	23 1/4"
Ext. Boom Height (highest position)	119 3/4"
Height of Legs	8 1/4"
Wheel Diameter-Load Wheels	6"
Wheel Diameter-Steering Wheels	6"



PUMPING CYCLES needed to raise boom through full travel: 90.

Certain models can be shipped NEXT DAY.

NOTE:
 Ruger can modify any standard dimensions to meet specific customer needs.