



David Round, Inc.  
Ruger Division  
10200 Wellman Road  
Streetsboro, OH 44241  
Phone: 440-248-4700  
Fax: 440-248-8544  
www.rugerindustries.com

**ADJUSTABLE****HYDRAULIC****DEPENDABLE****STRONG**

## HP-2

- **4000 lb. Capacity**
- **Engineered for many years of reliable service**

### ACCESSORIES

- **Barrel Grip**
- **Floor Lock**
- **E-Z Steer**
- **Phenolic or Polyurethane Wheels**
- **Power-Pak**
- **Extension Boom**

### STANDARD FEATURES

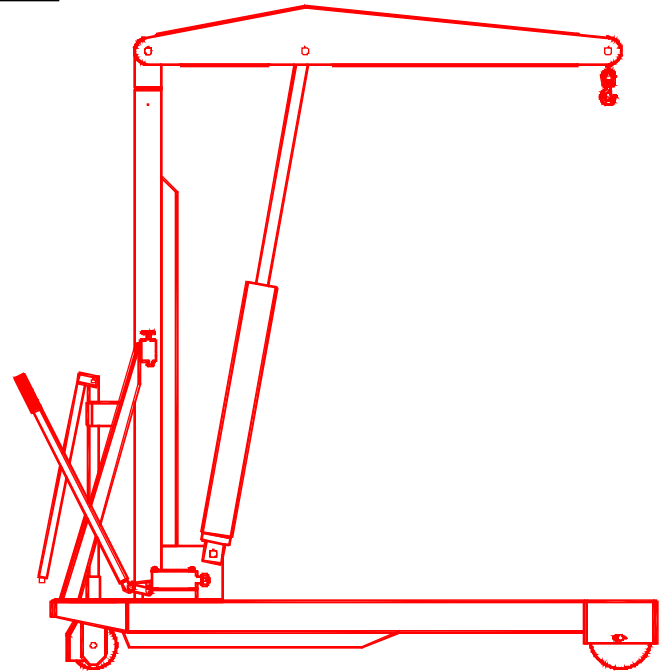
- Meets Ruger's engineering standards of 150% structural overload of maximum rated capacity
- Double-action hydraulic pump for quicker and easier lift
- Built-in hydraulic overload relief valve (An original Ruger patent)
- Needle type release valve permits pin-point control over lowering and holding of the heaviest or lightest loads
- Steel casters with roller bearing wheels
- Swivel hook with safety latch and chain to support heavy loads

Prices, Specifications, and Options are subject to Change Without Notice.

All Ruger products are shipped F.O.B. Streetsboro, Ohio 44139  
Unit Ships-NMFC #189240 - Class 85 Shipping Wt. 580 lbs

**FAX: 440-248-8544**

**E-mail: [info@davidround.com](mailto:info@davidround.com)**



This strong and dependable floor crane was designed to handle the bigger jobs.

Tested and exceeds  
**ANSI/ASME PALD-12C**  
standards.

Meets ANSI Z.535



David Round, Inc.  
 Ruger Division  
 32405 Aurora Road  
 Solon, OH 44139  
 Phone: 440-248-4700  
 Fax: 440-248-8544  
 www.rugerindustries.com  
 www.rugerequipment.com

**ADJUSTABLE**

**HYDRAULIC**

**DEPENDABLE**

**STRONG**

# MODEL: HP-2

Model .....	HP-2
Max. Capacity .....	4000 lbs
Overall Base Length .....	79"
Overall Width .....	34 1/4"
Overall Height.....	82 1/4"
Width Between Legs .....	26"
Boom Reach Retracted .....	60"
Boom Reach Extended .....	101"
Boom Height (lowest position) .....	40 1/2"
Boom Height (highest position) .....	120"
Ext. Boom Height (lowest position) .....	13 1/4"
Ext. Boom Height (highest position) .....	147 1/4"
Height of Legs .....	8 3/4"
Wheel Diameter-Load Wheels .....	8"
Wheel Diameter-Steering Wheels .....	6"

PUMPING CYCLES needed to raise boom through full travel; 31 with crane set for speed and 170 with crane set for power.

Certain models can be shipped NEXT DAY.

**NOTE:**  
 Ruger can modify any standard dimensions to meet specific customer needs.

