



David Round, Inc.  
Ruger Division  
10200 Wellman Road  
Streetsboro, OH 44241  
Phone: 440-248-4700  
Fax: 440-248-8544  
www.rugerindustries.com

**HYDRAULIC**

**AFFORDABLE**

**FLEXIBLE**

**TOUGH**

## HP-3D

- **6000 lb. Capacity**
- **Provides a Lift Height Up to 15'5"**

### ACCESSORIES

- **Barrel Grip**
- **Floor Lock**
- **E-Z Steer**
- **Power-Pak**
- **Extension Boom**

### STANDARD FEATURES

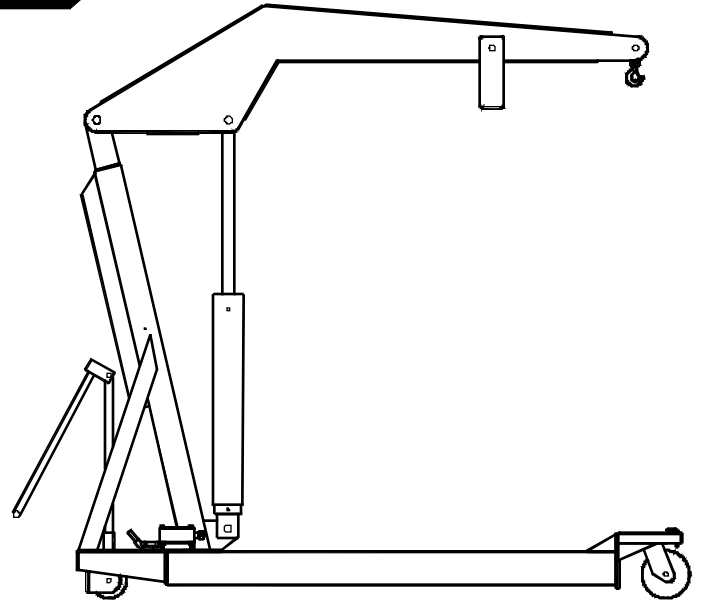
- Meets Ruger's engineering standards of 150% structural overload of maximum rated capacity
- Double action hand pump for a quicker and easier lift
- Built-in hydraulic overload relief valve (An original Ruger Patent)
- Needle type release valve permits pin-point control over lowering and holding of the heaviest or lightest loads
- Steel casters with roller bearing wheels
- Front wheels can be turned 90 degrees for easy positioning
- Chain with swivel hook and safety latch to support heavy loads

Prices, Specifications, and Options are subject to Change Without Notice.

All Ruger products are shipped F.O.B. Streetsboro, Ohio 44241  
Unit Ships-NMFC #189240 - Class 85 Shipping Wt. 1250 lbs

**FAX: 440-248-8544**

**E-mail: [info@davidround.com](mailto:info@ davidround.com)**



The HP-3D diesel lift hydraulic crane handles the heaviest shop jobs. The crane performs equally well with cab-over or standard engine mountings. Tested and exceeds ANSI/ASME PALD-12C standards. Meets ANSI Z.535



David Round, Inc.  
 Ruger Division  
 10200 Wellman Road  
 Streetsboro, OH 44241  
 Phone: 440-248-4700  
 Fax: 440-248-8544  
 www.rugerindustries.com

**RELIABLE**

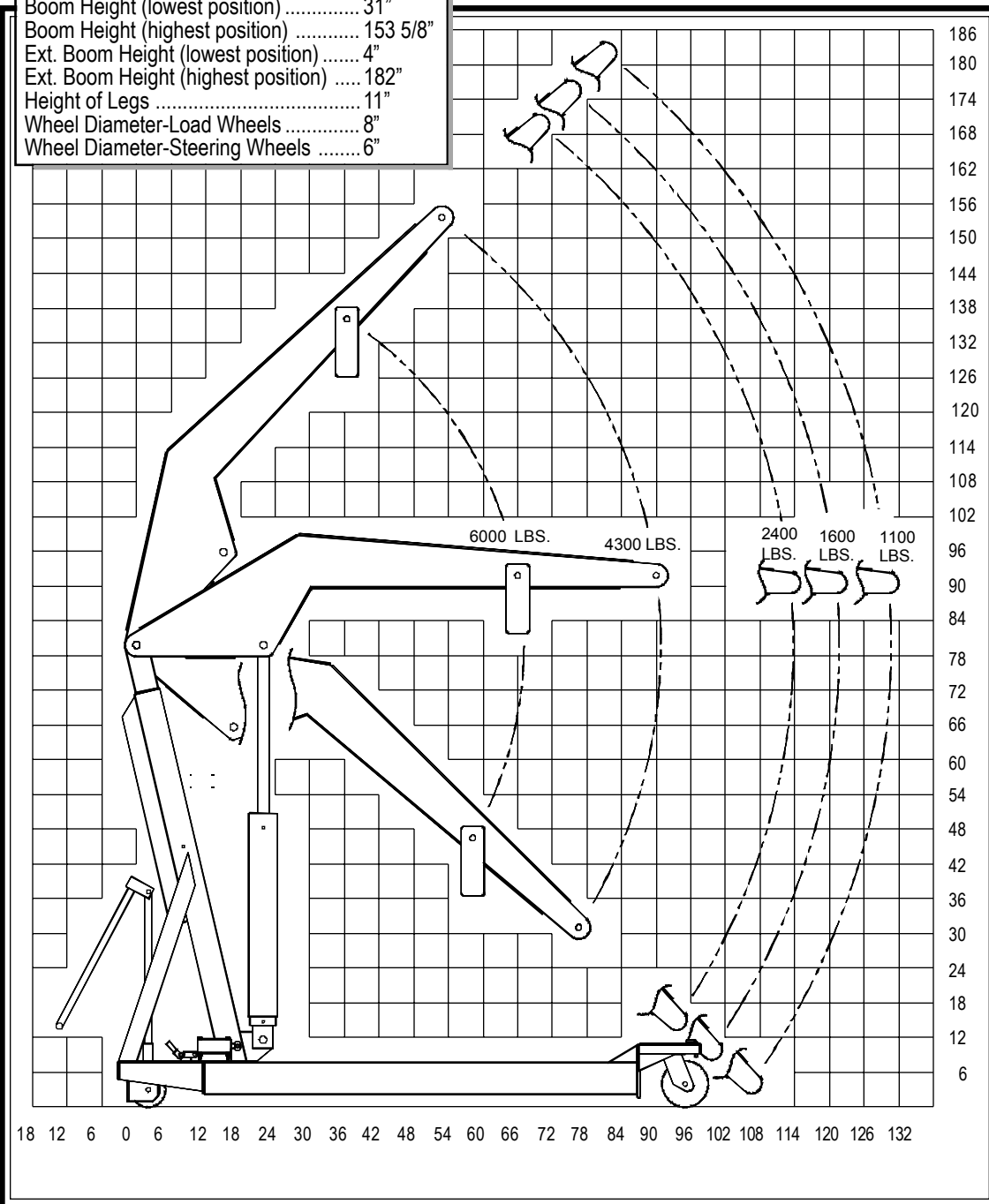
**DEPENDABLE**

**POWERFUL**

**VERSATILE**

# MODEL: HP-3D

Model .....	HP-3D
Max. Capacity .....	6000 lbs
Overall Base Length .....	101"
Overall Width .....	49"
Overall Height .....	98 7/8"
Width Between Legs .....	36"
Boom Reach Retracted .....	68 5/8"
Boom Reach Extended .....	108 5/8"
Boom Height (lowest position) .....	31"
Boom Height (highest position) .....	153 5/8"
Ext. Boom Height (lowest position) .....	4"
Ext. Boom Height (highest position) .....	182"
Height of Legs .....	11"
Wheel Diameter-Load Wheels .....	8"
Wheel Diameter-Steering Wheels .....	6"



PUMPING CYCLES needed to raise boom through full travel; 31 with crane set for speed and 170 with crane set for power.

Certain models can be shipped NEXTDAY.

**NOTE:**  
 Ruger can modify any standard dimensions to meet specific customer needs.