



David Round, Inc.  
Ruger Division  
10200 Wellman Road  
Streetsboro, OH 44241  
Phone: 440-248-4700  
Fax: 440-248-8544  
www.rugerindustries.com

**COMPACT****VERSATILE****DEPENDABLE****AFFORDABLE**

## HP-2000

- **2000 lb. Capacity**
- **New design with built-in safety features**

### ACCESSORIES

- **Barrel Grip**
- **Floor Lock**
- **Phenolic or Polyurethane Wheels**
- **Power-Pak**

### STANDARD FEATURES

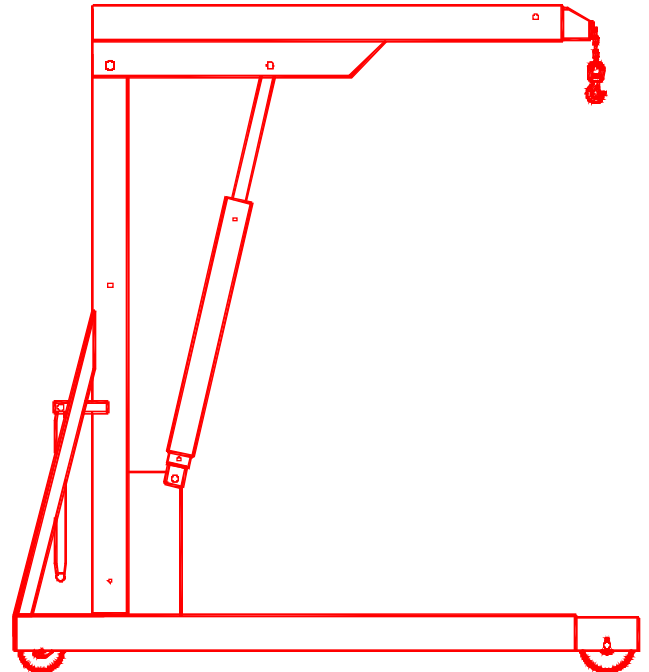
- Meets Ruger's engineering standards of 150% structural overload of maximum rated capacity
- Double action hand pump for quicker and easier lift
- Built-in hydraulic overload relief valve (An original Ruger patent)
- Needle type release valve permits pin-point control over lowering and holding of the heaviest or lightest loads
- Adjustable built-in telescopic boom
- Steel wheels and caster with roller bearings
- Swivel hook with safety latch and chain to support heavy loads

Prices, Specifications, and Options are subject to Change Without Notice.

All Ruger products are shipped F.O.B. Streetsboro, Ohio 44241  
Unit Ships-NMFC #189240 - Class 85 Shipping Wt. 385 lbs

**FAX: 440-248-8544**

**E-mail: [info@davidround.com](mailto:info@davidround.com)**



The HP-2000 has a manual built-in telescopic extension boom for more reach and height. Tested and exceeds ANSI/ASME PALD-12C standards. Meets ANSI Z.535



David Round, Inc.  
 Ruger Division  
 32405 Aurora Road  
 Solon, OH 44139  
 Phone: 440-248-4700  
 Fax: 440-248-8544  
 www.rugerindustries.com

**COMPACT**

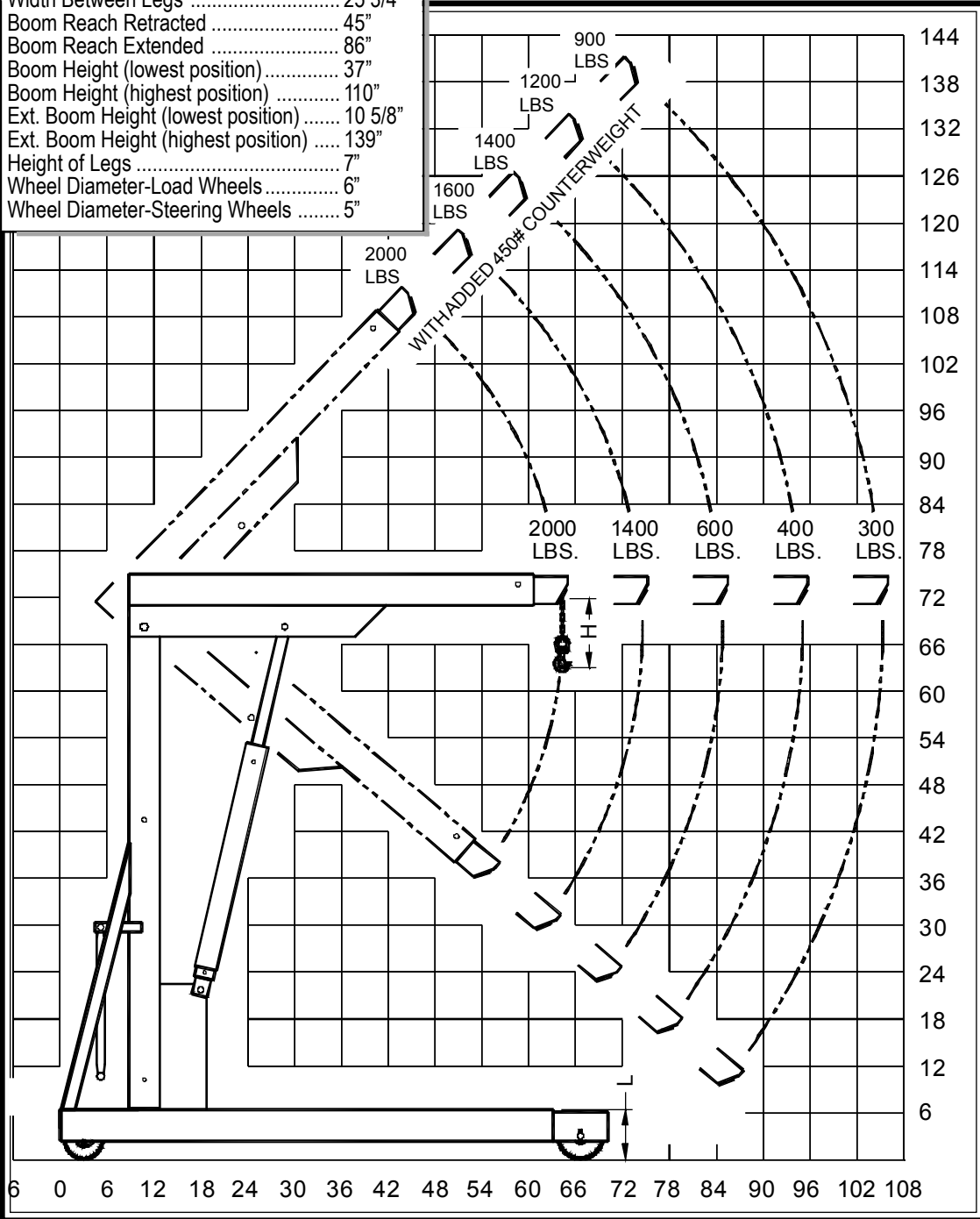
**VERSATILE**

**DEPENDABLE**

**AFFORDABLE**

# MODEL: HP-2000

|   |          |
|---|----------|
| Model .....                               | HP-2000  |
| Max. Capacity .....                       | 2000 lbs |
| Overall Base Length .....                 | 70"      |
| Overall Width .....                       | 33"      |
| Overall Height .....                      | 76"      |
| Width Between Legs .....                  | 25 3/4"  |
| Boom Reach Retracted .....                | 45"      |
| Boom Reach Extended .....                 | 86"      |
| Boom Height (lowest position) .....       | 37"      |
| Boom Height (highest position) .....      | 110"     |
| Ext. Boom Height (lowest position) .....  | 10 5/8"  |
| Ext. Boom Height (highest position) ..... | 139"     |
| Height of Legs .....                      | 7"       |
| Wheel Diameter-Load Wheels .....          | 6"       |
| Wheel Diameter-Steering Wheels .....      | 5"       |



PUMPING CYCLES needed to raise boom through full travel; 35 with crane set for speed and 60 with crane set for power.

Certain models can be shipped NEXT DAY.

**NOTE:**  
 Ruger can modify any standard dimensions to meet specific customer needs.