



David Round, Inc.  
Ruger Division  
10200 Wellman Road  
Streetsboro, OH 44241  
Phone: 440-248-4700  
Fax: 440-248-8544  
www.rugerindustries.com

AFFORDABLE

COMPACT

VERSATILE

RELIABLE

## RC1000S

- **1000 lb. Capacity**
- **Ideal for the automotive and truck markets**
- **Boom can be mounted at 5 different height positions**

### ACCESSORIES

- **Barrel Grip**
- **Floor Lock**
- **Polyurethane or Steel Wheels**

### STANDARD FEATURES

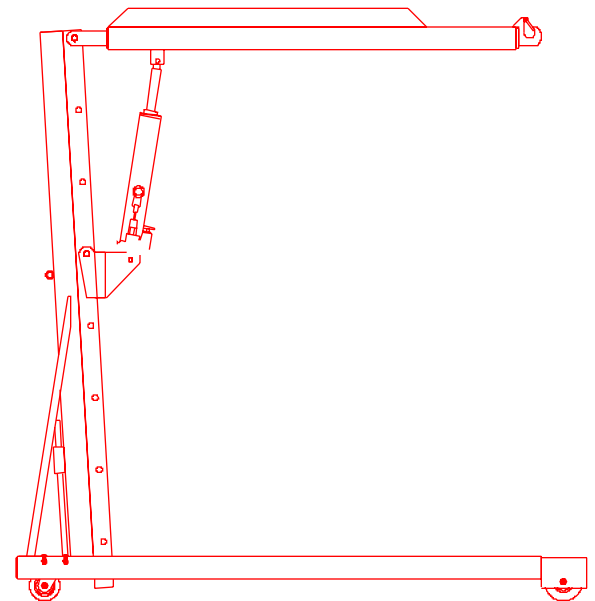
- Meet Ruger's engineering standards of 150% structural overload of maximum rated capacity
- Completely self-contained hydraulic system with single action jack
- Boom and hydraulics adjust to 5 height locations
- Built-in hydraulic overload relief valve (An original Ruger patent)
- Needle type release valve permits pin-point control over lowering and holding of the heaviest or lightest loads
- Snatch hook
- Phenolic resin wheels with roller bearings

Prices, Specifications, and Options are subject to Change Without Notice.

All Ruger products are shipped F.O.B. Streetsboro, Ohio 44241  
Unit Ships-NMFC #189240 - Class 85 Shipping Wt. 285 lbs

FAX: 440-248-8544

E-mail: [info@davidround.com](mailto:info@ davidround.com)



Maximum Value and Safety at a Modest Investment. The RC1000S boom reaches 40" out from ram connecting point and lifts 1000 pounds. Tested and exceeds ANSI/ASME PALD-12C standards. Meets ANSI Z.535



David Round, Inc.  
 Ruger Division  
 10200 Wellman Road  
 Streetsboro, OH 44241  
 Phone: 440-248-4700  
 Fax: 440-248-8544  
 www.rugerindustries.com

**AFFORDABLE**

**COMPACT**

**VERSATILE**

**RELIABLE**

# MODEL: RC-1000S

|   |          |
|---|----------|
| Model.....                                | RC1000S  |
| Max. Capacity .....                       | 1000 lbs |
| Overall Base Length .....                 | 75"      |
| Overall Width .....                       | 31 1/2"  |
| Overall Height.....                       | 78"      |
| Width Between Legs .....                  | 25 1/2"  |
| Boom Reach Retracted .....                | 50"      |
| Boom Reach Extended .....                 | N/A      |
| Boom Height (lowest position) .....       | 2"       |
| Boom Height (highest position) .....      | 120"     |
| Ext. Boom Height (lowest position) .....  | N/A      |
| Ext. Boom Height (highest position) ..... | N/A      |
| Height of Legs .....                      | 6"       |
| Wheel Diameter-Load Wheels .....          | 5"       |
| Wheel Diameter-Steering Wheels .....      | 4"       |

PUMPING CYCLES  
 needed to raise boom  
 through full  
 travel : 90.

Certain models can be  
 shipped NEXT DAY

**NOTE:**  
 Ruger can modify  
 any standard  
 dimensions  
 to meet specific  
 customer needs.

