



David Round, Inc.
Ruger Division
10200 Wellman Road
Streetsboro, OH 44241
Phone: 440-248-4700
Fax: 440-248-8544
www.rugerindustries.com

VERSATILE

MORE REACH

AFFORDABLE

RELIABLE

RC2000

- **2000 lb. Capacity**
- **Telescopic boom for longer reach**

ACCESSORIES

- **Barrel Grip**
- **Floor Lock**
- **Polyurethane or Steel Wheels**

STANDARD FEATURES

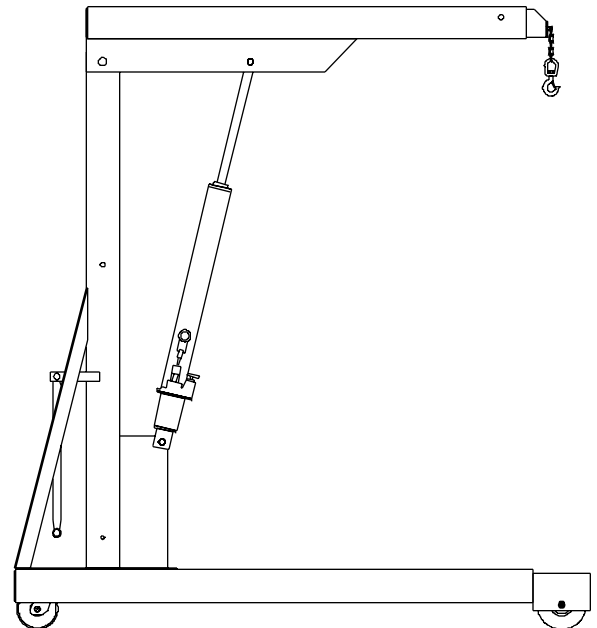
- Meets Ruger's engineering standards of 150% structural overload of maximum rated capacity
- Completely self-contained hydraulic system with single action jack
- Built-in hydraulic overload relief valve (An original Ruger patent)
- Adjustable built-in telescopic boom
- Phenolic resin wheels with roller bearings
- Swivel hook with a safety latch and chain to support heavy loads

Prices, Specifications, and Options are subject to Change Without Notice.

All Ruger products are shipped F.O.B. Streetsboro, Ohio 44241
Unit Ships-NMFC #189240 - Class 85 Shipping Wt. 340 lbs

FAX: 440-248-8544

E-mail: info@davidround.com



Maximum Value and Safety at a Modest Investment. The Model RC2000 has a manual built-in telescopic extension boom for more reach and height. Tested and exceeds ANSI/ASME PALD-12C standards. Meets ANSI Z.535



Ruger Industries, Inc.
 10200 Wellman Road
 Streetsboro, OH 44241
 Phone: 440-248-4700
 800-257-8437
 Fax: 440-248-8544
 www.rugerindustries.com

VERSATILE

COMPACT

AFFORDABLE

RELIABLE

MODEL: RC2000

PUMPING CYCLES
 needed to raise boom
 through full
 travel: 90.

Certain models can be
 shipped NEXT DAY.

NOTE:
 Ruger can modify
 any standard
 dimensions
 to meet specific
 customer needs.

Model	RC2000
Max. Capacity	2000 lbs
Overall Base Length	70"
Overall Width	33 1/2"
Overall Height	75 7/8"
Width Between Legs	25 3/4"
Boom Reach Retracted	45 3/8"
Boom Reach Extended	86 3/8"
Boom Height (lowest position)	32"
Boom Height (highest position)	102 1/2"
Ext. Boom Height (lowest position)	2 3/8"
Ext. Boom Height (highest position)	125 7/8"
Height of Legs	7 1/4"
Wheel Diameter-Load Wheels	6"
Wheel Diameter-Steering Wheels	5"

