

David Round, Inc.
Ruger Division
10200 Wellman Road
Streetsboro, OH 44241
Phone: 440-248-4700
Fax: 440-248-8544
www.rugerindustries.com

FLEXIBLE

RELIABLE

ADJUSTABLE

VERSATILE

RC2000A

- **2000 lb. Capacity**
- **Adjustable legs for wide loads and narrow spaces**

ACCESSORIES

- **Barrel Grip**
- **Floor Lock**
- **Polyurethane or Steel Wheels**

STANDARD FEATURES

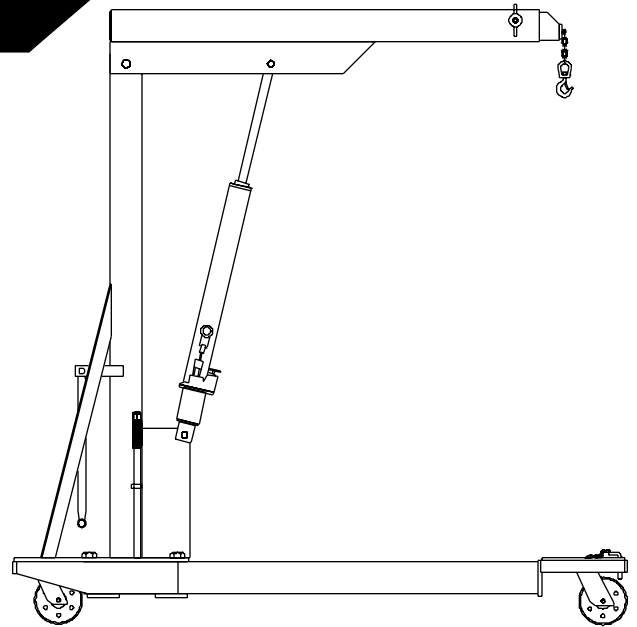
- Meets Ruger's engineering standards of 150% structural overload of maximum rated capacity
- Completely self-contained hydraulic system with single action jack
- Built-in hydraulic overload relief valve (An original Ruger patent)
- Needle type release valve permits pin-point control over lowering and holding of the heaviest or lightest loads
- Adjustable built-in telescopic boom
- Standard steel wheels with roller bearings
- Swivel hook with safety latch and chain to support heavy loads

Prices, Specifications, and Options are subject to Change Without Notice.

All Ruger products are shipped F.O.B. Streetsboro, Ohio 44241
Unit Ships-NMFC #189240 - Class 85 Shipping Wt. 440 lbs

FAX: 440-248-4700

E-mail: info@davidround.com



The RC2000A gives you greater flexibility and versatility to handle wide loads or work in narrow spaces. Tested and exceeds ANSI/ASME PALD-12C standards. Meets ANSI Z.535



David Round, Inc.
 Ruger Division
 10200 Wellman Road
 Streetsboro, OH 44241
 Phone: 440-248-4700
 Fax: 440-248-8544
 www.rugerindustries.com

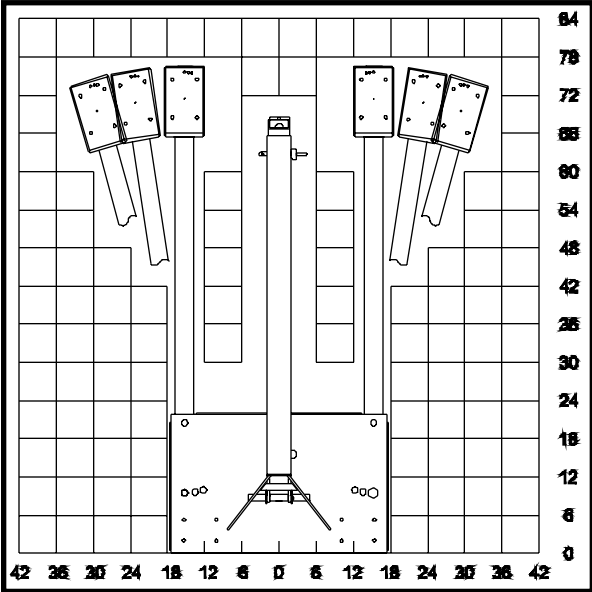
VERSATILE

COMPACT

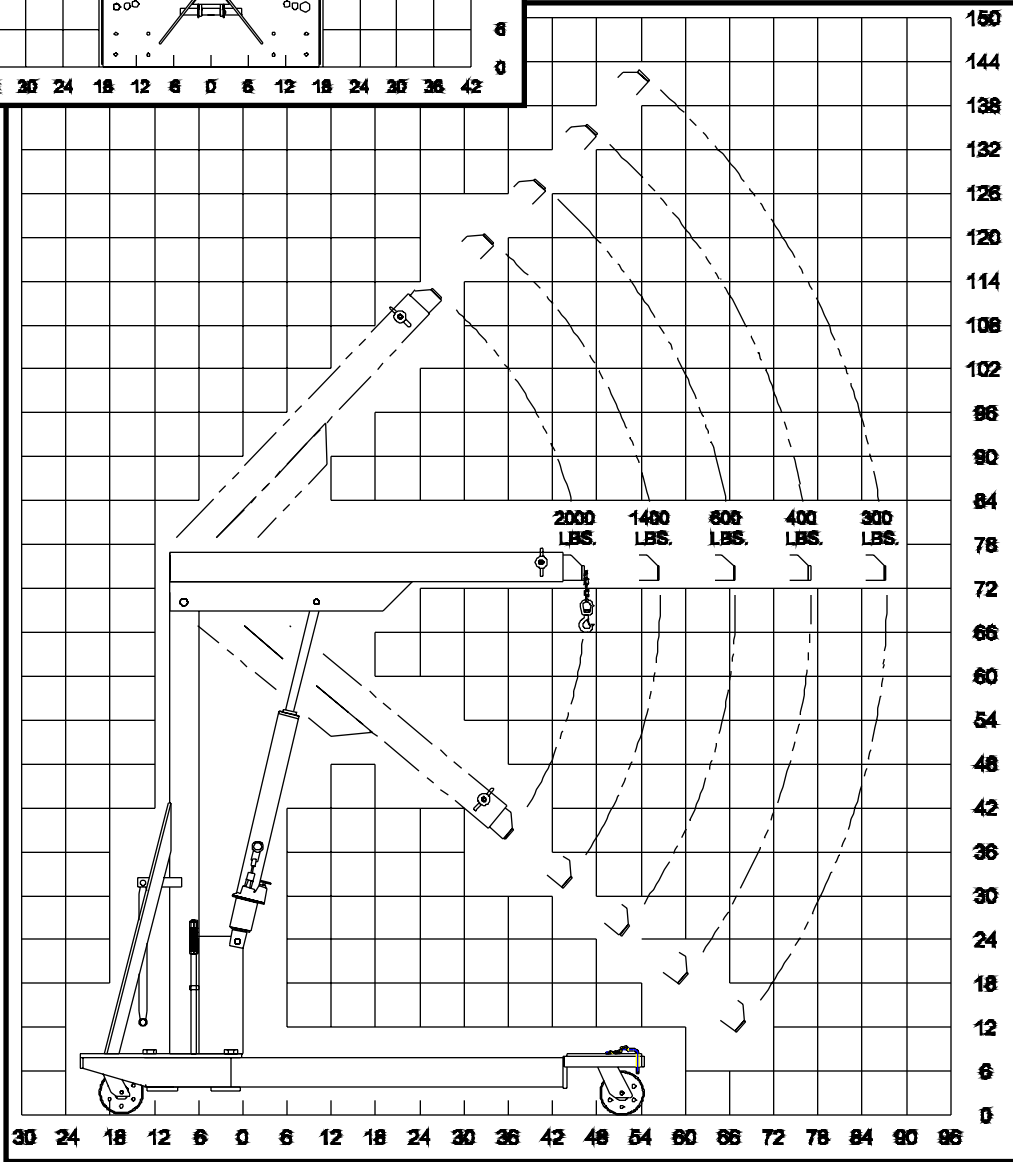
AFFORDABLE

RELIABLE

MODEL: RC2000A



Model	RC2000A
Max. Capacity	2000 lbs
Overall Base Length	73"
Overall Width	35"-53"-65"
Overall Height	76 3/4"
Width Between Legs	22"-36 1/2"-48"
Boom Reach Retracted	46 7/8"
Boom Reach Extended	87 7/8"
Boom Height (lowest position)	33"
Boom Height (highest position)	110"
Ext. Boom Height (lowest position)	10 7/8"
Ext. Boom Height (highest position)	141"
Height of Legs	8 1/4"



PUMPING CYCLES
 needed to raise boom
 through full
 travel: 90.

Certain models can be
 shipped **NEXT DAY**.

NOTE:
 Ruger can modify
 any standard
 dimensions
 to meet specific
 customer needs.