



David Round, Inc.
Ruger Division
32405 Aurora Road
Solon, OH 44139
Phone: 440-248-4700
Fax: 440-248-8544
www.rugeriindustries.com

MO RE REA CH

AFFORDABLE

DEPENDABLE

360° ROTATION

TM-1/2

- 1000 lb. Capacity
- 360 degree boom rotation

ACCESSORIES

- Barrel Grip
- Truck crane mast complete (less mounting socket, mounting brackets and stabilizer)
- Mounting brackets for installing socket on truck
- Stabilizer only (screw type)
- Extra truck crane wells available for truck or pedestal mountings
- Wireless Remote

STANDARD FEATURES

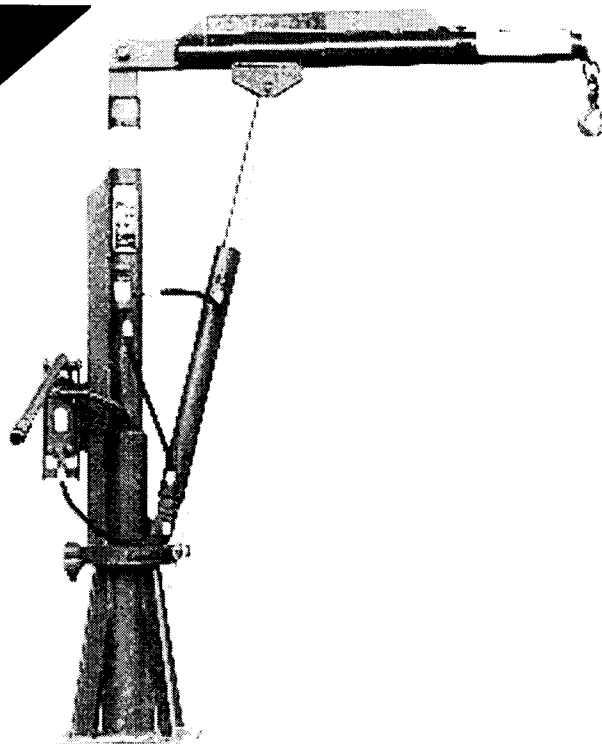
- Meets Ruger's engineering standards of 150% structural overload of maximum rated capacity
- 360 degree boom rotation
- Double action hand pump for quicker and easier lift
- Built-in hydraulic overload relief valve
- Needle type release valve permits pin-point control over lowering or holding of the heaviest or lightest loads
- Truck crane well
- Mounted on Timken tapered roller bearings for easy rotation under maximum loads
- Swivel hook with safety latch and chain to support heavy loads
- Adjustable brake to control rotation

Prices, Specifications, and Options are subject to Change Without Notice.

All Ruger products are shipped F.O.B. Solon, Ohio 44139
Unit Ships-NMFC #189240 - Class 70 Shipping Wt. 325 lbs

FAX: 440-248-8544

E-mail: lift@rugerequipment.com



The TM-1/2 is built for maximum dependability and versatility. Tested and exceeds ANSI/ASME PALD-12C standards. Meets ANSI Z.535



David Round, Inc.
 Ruger Division
 32405 Aurora Road
 Solon, OH 44139
 Phone: 440-248-4700
 Fax: 440-248-8544
 www.rugerindustries.com

MO RE REA CH

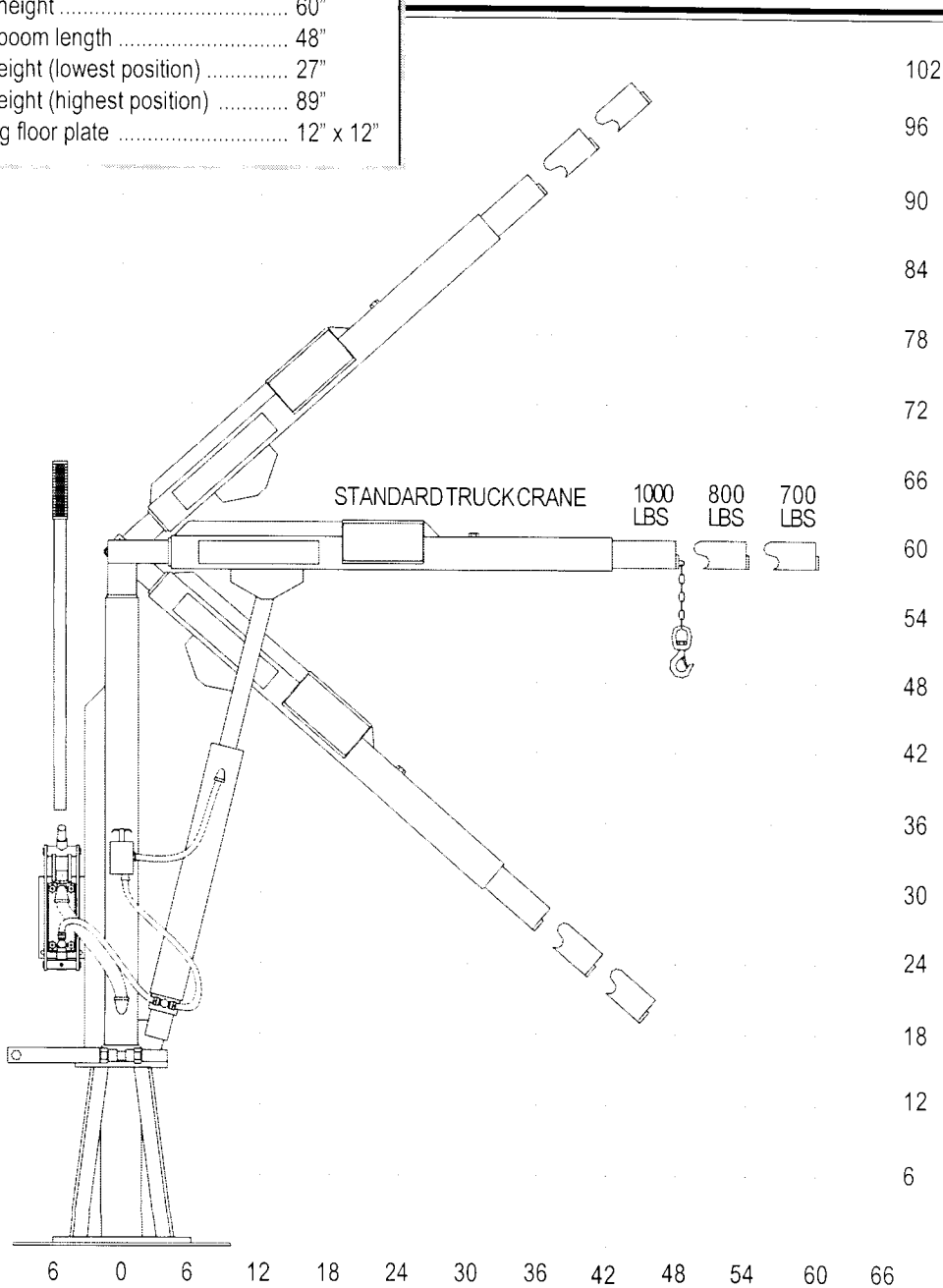
AFFORDABLE

DEPENDABLE

360° ROTATION

MODEL: TM-1/2

Model	TM-1/2
Capacity	1000 lbs
Overall height	60"
Overall boom length	48"
Boom height (lowest position)	27"
Boom height (highest position)	89"
Mounting floor plate	12" x 12"



PUMPING CYCLES needed to raise boom through full travel; 15 with crane set for speed and 25 for crane set for power.

Certain models can be shipped NEXT DAY.

NOTE:
 Ruger can modify any standard dimensions to meet specific customer needs.