



David Round, Inc.  
Ruger Division  
32405 Aurora Road  
Solon, OH 44139  
Phone: 440-248-4700  
Fax: 440-248-8544  
www.rugerindustries.com

VERSATILE

AFFORDABLE

REMOVABLE

360° ROTATION

## TM-1/4

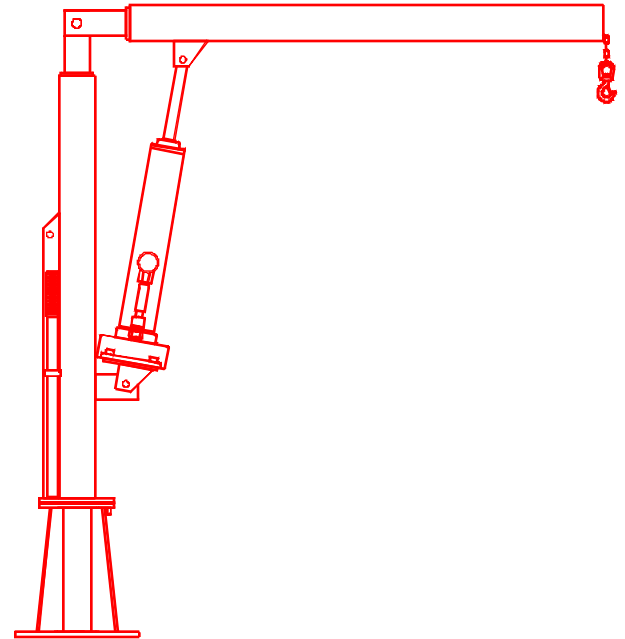
- 500 lb. Capacity
- 360 degree boom rotation

### ACCESSORIES

- Barrel Grip
- Truck crane mast complete (less mounting socket, mounting brackets and stabilizer)
- Mounting brackets for installing socket on truck
- Stabilizer only (screw type)
- Extra truck crane wells available for truck or pedestal mountings

### STANDARD FEATURES

- Meets Ruger's engineering standards 150% structural overload of maximum rated capacity
- 360 degree boom rotation
- Built-in hydraulic overload relief valve
- Adjustable brake to control rotation
- Needle type release valve permits pin-point control over lowering and holding of heaviest or lightest loads
- Truck crane well
- Mounted on Timken tapered roller bearings for easy rotation under maximum loads
- Swivel hook with safety latch and chain to support heavy loads



Prices, Specifications, and Options are subject to Change Without Notice.

All Ruger products are shipped F.O.B. Solon, Ohio 44139,  
Unit Ships-NMFC #189240 - Class 70 Shipping Wt. 100 lbs

FAX: 440-248-8544

E-mail: [lift@rugerequipment.com](mailto:lift@rugerequipment.com)

The TM-1/4 provides strength, versatility and dependability wherever you go. Tested and exceeds ANSI/ASME PALD-12C standards. Meets ANSI Z.535



David Round, Inc.  
 Ruger Division  
 32405 Aurora Road  
 Solon, OH 44139  
 Phone: 440-248-4700  
 Fax: 440-248-8544  
 www.rugerindustries.com

**VERSATILE**

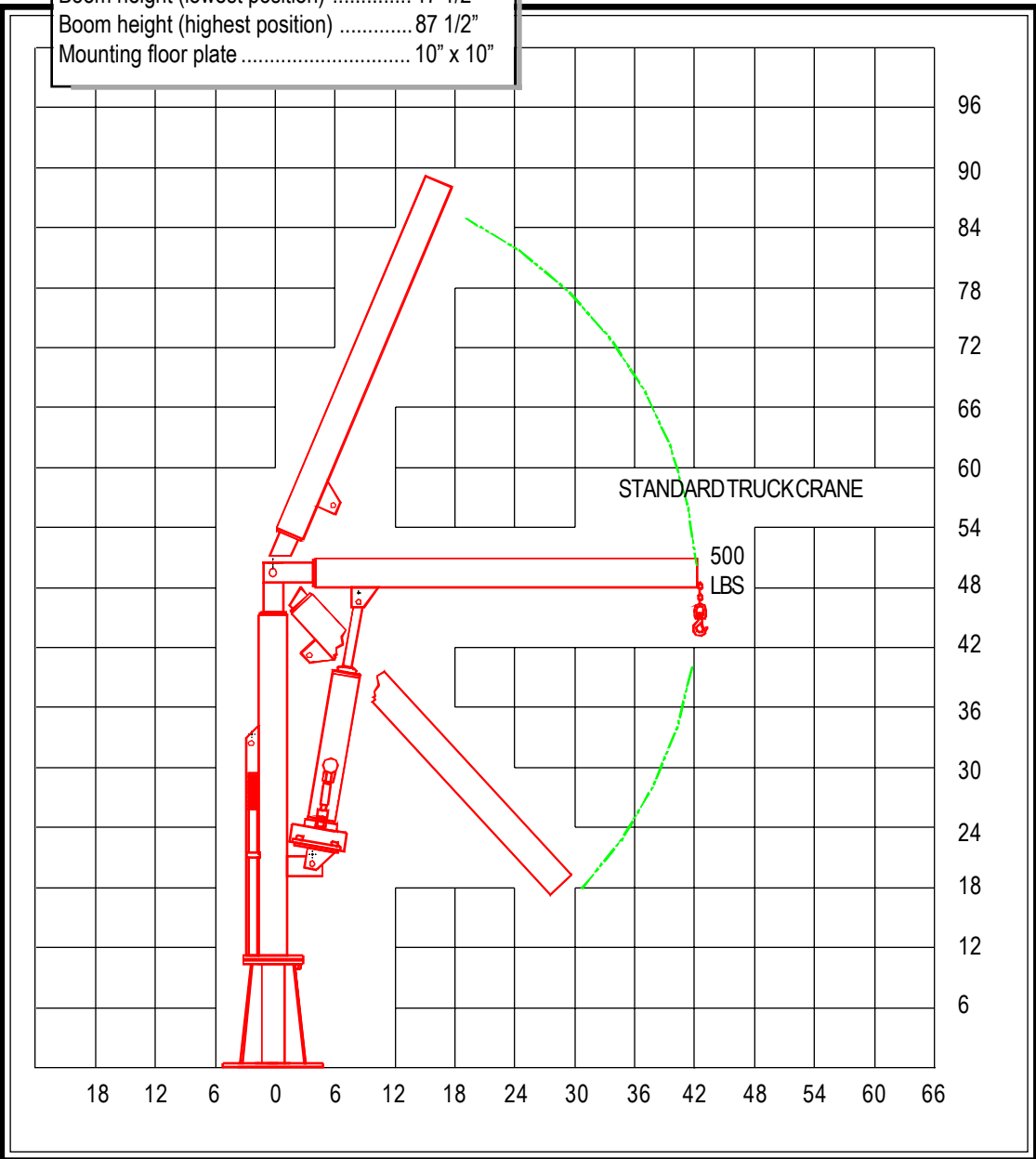
**AFFORDABLE**

**REMOVABLE**

**360° ROTATION**

# MODEL: TM-1/4

Model .....	TM-1/4
Capacity .....	500 lbs
Overall height .....	50 1/2"
Overall boom length .....	42 1/2"
Boom height (lowest position) .....	17 1/2"
Boom height (highest position) .....	87 1/2"
Mounting floor plate .....	10" x 10"



PUMPING CYCLES  
 needed to raise boom  
 through full  
 travel: 90.

Certain models can be  
 shipped NEXT DAY

**NOTE:**  
 Ruger can modify  
 any standard  
 dimensions  
 to meet specific  
 customer needs.